



NEW RELEASE - URBANO 9.2.7

New features and resolved problems



General information

Urbano 9.2.7 supports following CAD platforms:

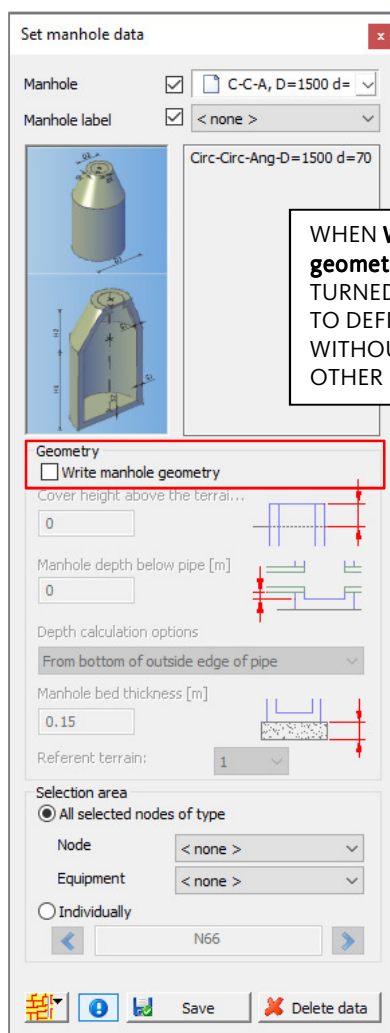
- AutoCAD / Civil3D / MAP3D 2015 64-bit
- AutoCAD / Civil3D / MAP3D 2016 64-bit
- AutoCAD / Civil3D / MAP3D 2017 64-bit
- AutoCAD / Civil3D / MAP3D 2018 64-bit
- AutoCAD / Civil3D / MAP3D 2019 64-bit

1 New features

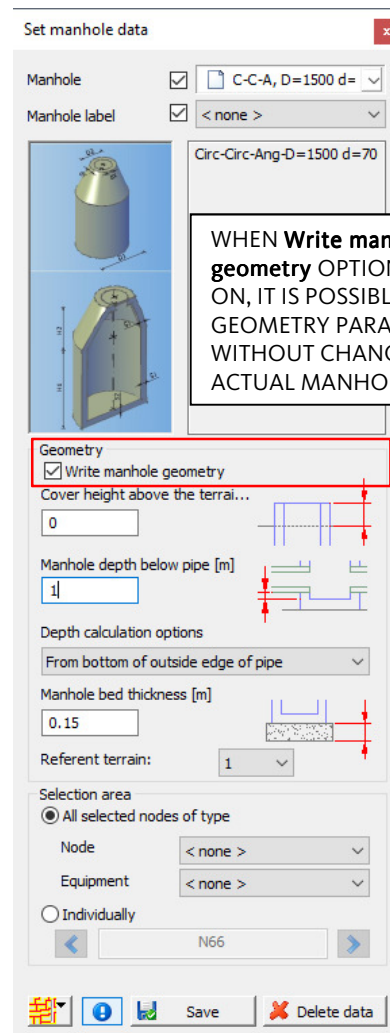
1.1 Insert manholes – new features

In new version geometry data doesn't have to be defined along with the manhole from the catalog. It is possible to:

1. Define new manhole (diameter) without changing other geometry data – cover height above the terrain, depth calculation options, bed thickness and referent terrain.
2. Define all those geometry parameters, without defining the manhole again (if it has been set already):



WHEN **Write manhole geometry** OPTION IS TURNED OFF, IT IS POSSIBLE TO DEFINE NEW MANHOLE WITHOUT CHANGING OTHER PARAMETERS



WHEN **Write manhole geometry** OPTION IS TURNED ON, IT IS POSSIBLE TO DEFINE GEOMETRY PARAMETERS WITHOUT CHANGING THE ACTUAL MANHOLE

THIS OPTION IS AVAILABLE FOR ONE OR MORE NODES IN THE SELECTION.



2 Repaired problems

2.1 Input terrain height – C3D Surface

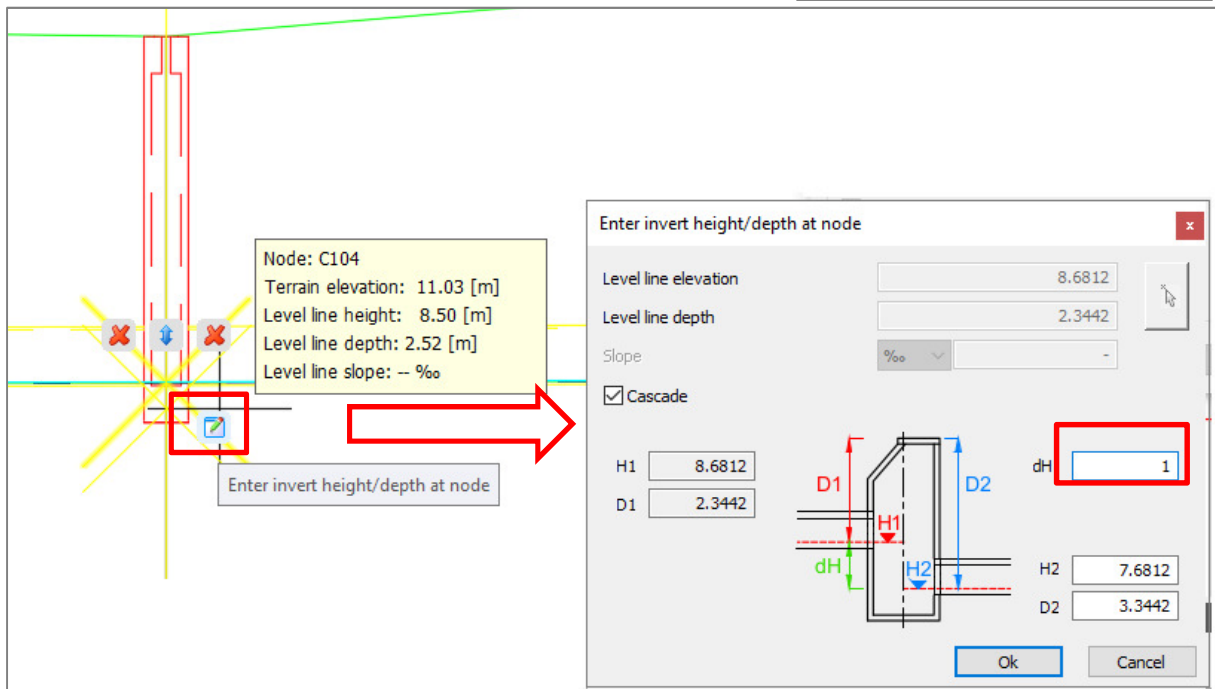
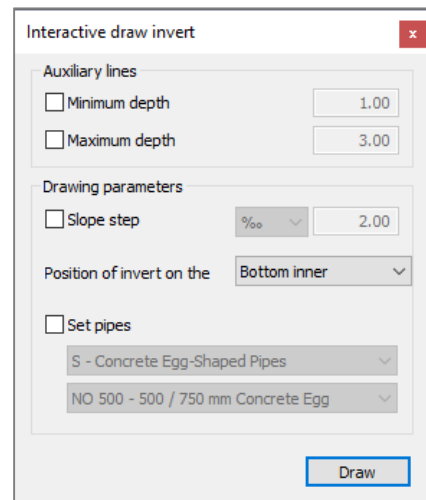
Not possible to input terrain elevations from the available C3D surface since it is not possible to choose „C3D“ as DTM source. Problem occurred only on Civil3D 2018. **Repaired.**

2.2 Manhole data – Manhole bottom elevation

Data **Manhole bottom elevation** doesn't show the same value in version 9.2 as in 9.1. In Urbano 9.1, it shows the elevation of inner manhole bottom, while in 9.2 it shows elevation of the outer manhole bottom (along with the bedding). **Repaired.**

2.3 Interactive draw invert – Cascade (manhole drop)

By picking on the pencil icon close to the node and defining cascade (manhole drop) value, the program retrieves an error and shuts down unexpectedly. It happens only if it is first step in the editing. **Repaired.**





2.4 Longitudinal sections

Intersection points

Intersection points with CAD elements were drawn with the default color, until intersection with another Urbano system occurred. After that, program would show intersections with CAD elements with the color of the latter system (from plan). **Repaired.**

2.5 Import/Export data

Import data from TXT file – function retrieves an error and the program closes unexpectedly. Problem occurred only on AutoCAD/C3D /MAP 2019. **Repaired.**

2.6 Conversion of 3D Polyline in Urbano system

Conversion of 3D polyline in Urbano topology – When the user chooses to define terrain elevation from the DTM surface, while pipe elevation (invert) should be read from 3D polyline Z-coordinate, the program doesn't read invert elevation properly. Other combinations work properly. **Repaired.**